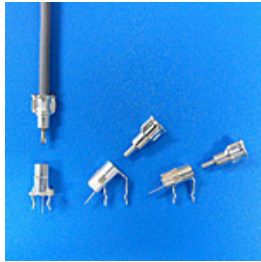


TMP Series

For Special Application | — | Coaxial Cable Connection



Product Feature

Small, crimp style connector for high frequency co-axial cables (up to 1.0 GHz)

1. Maintains excellent VSWR through superior design and high quality materials.
2. High reliable crimp connection.
3. Compact design suits communication equipment.
4. Jacks available in vertical, 45 deg and 20 deg style.

Specifications

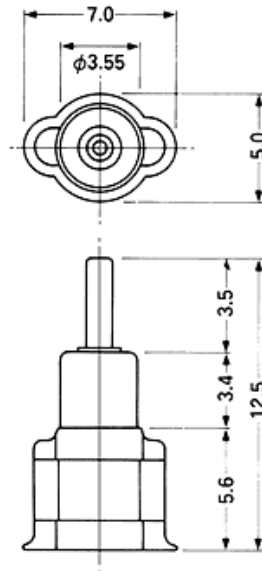
CONTACT RESISTANCE		25mΩ OR LESS(1.5D)	
INSULATION RESISTANCE		35mΩ OR LESS(1.5C, COAXIAL CABLE AND JACK)	
WITHSTANDING VOLTAGE		MIN. 50MΩ, AT DC250V	
IMPEDANCE CHARACTERISTIC		AC250V(FOR ONE MINUTE)	
TEMPERATURE RANGE		50Ω, 75Ω	
RECOMMENDED PCB DIM		-40°C~+85°C	
RECOMMENDED COAXIAL CABLE RANGE		THICKNESS:1.6mm	
INITIAL ENGAGING FORCE		1.5C,1.5D	
INITIAL DISENGAGEMENT FORCE		(OVERALL DIA: ø2.8mm~3.2mm) THIN WIRES	
		* BUT EXCEPT CP WIRE	
		5.0kgf OR LESS	
		1.0kgf OR GREATER, 4.0kgf OR LESS	
MATERIALS	PIN HEADER	INSULATOR: FR-TPX PLUG CASE: BRASS, COPPER & SILVER-PLATE PIN: COPPER & SILVER-PLATE	
	MINIATURE PIN JACK	LOW PROFILE TYPE 3	INSULATOR: FR-TPX JACK CASE: P.B., SILVER-PLATE JACK TERMINAL: P.B., SILVER-PLATE
		LOW PROFILE TYPE 4	INSULATOR: FR-TPX JACK CASE: P.B., SILVER-PLATE JACK TERMINAL: P.B., SILVER-PLATE
		V TYPE	INSULATOR: FR-TPX JACK CASE: P.B., SILVER-PLATE JACK TERMINAL: P.B., SILVER-PLATE

PIN HEADER/MINIATURE PIN JACK

PIN HEADER
TMP-K01X-A1(FOR THIN WIRES)

MINIATURE PIN JACK
TMP-S01X-B1(LOW PROFILE TYPE 3)
TMP-S01X-C1(LOW PROFILE TYPE 4)
TMP-J01X-V6(V TYPE)

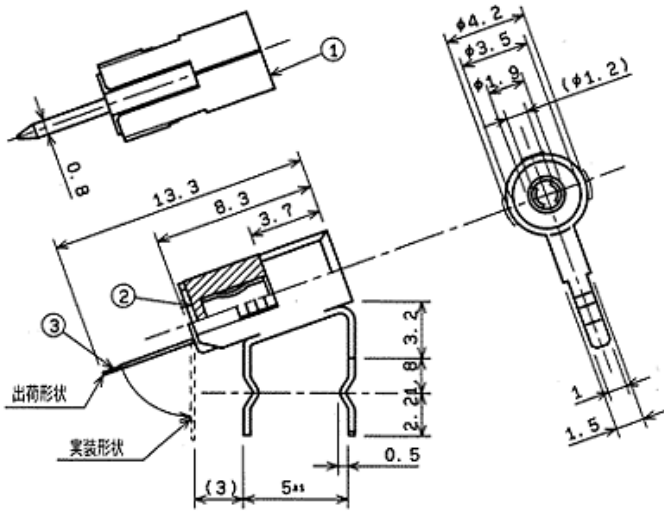
Plug (for thin wires) [Layout diagram]



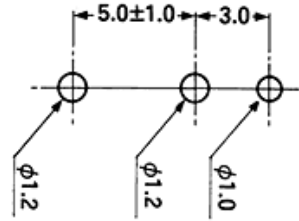
TMP Series

For Special Application | — | Coaxial Cable Connection

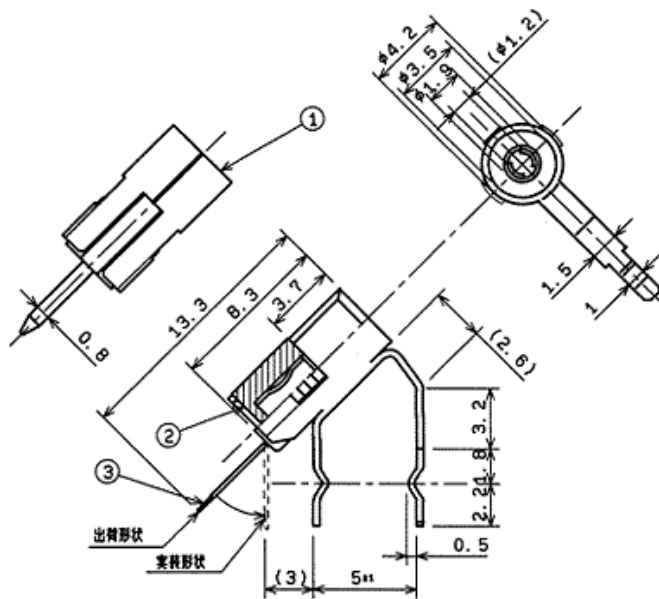
■ Miniature pin jack (low profile type 3) [Layout diagram]



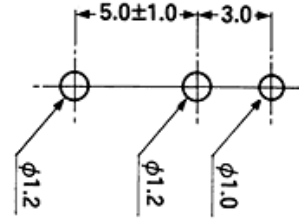
■ PCB hole size and layout diagram



■ Miniature pin jack (low profile type 4) [Layout diagram]



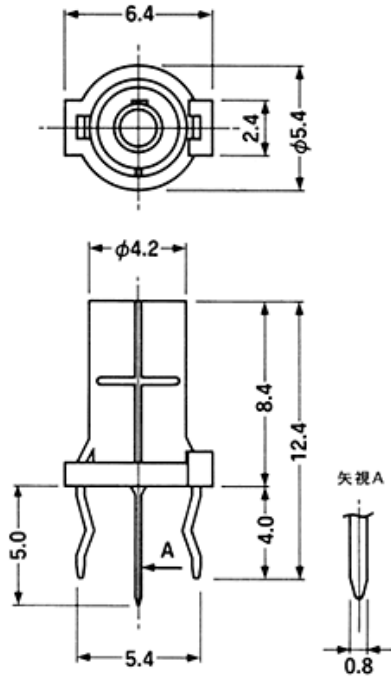
■ PCB hole size and layout diagram



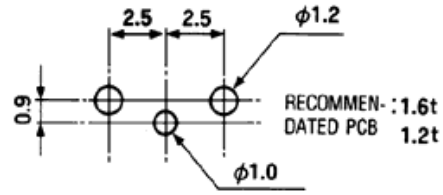
TMP Series

For Special Application | — | Coaxial Cable Connection

■ Miniature pin jack (V type) [Layout diagram]



■ PCB hole size and layout diagram



105 Hill Street, Suite 2D * Norcross, Georgia 30071 USA
TEL: 678-990-1754 * EMAIL: sales@scsiglobal.com * FAX: 678-990-1758

* All the figures relative to the product information indicated herein on our website are to represent respective model ranges(or series), and may as well be treated as reference figures only.
We take the liberty to call your kind attention to the fact that our products and/or specifications may change without previous notice due to unavoidable circumstances.
If you determine to use or adopt a product thereof, we would appreciate you contacting our Sales & Marketing Division for confirmation of the up-to-date specifications for delivery.