

# Differential Mode Chokes for DC/DC Embedded Applications DMC 22 xxx 1WR Series

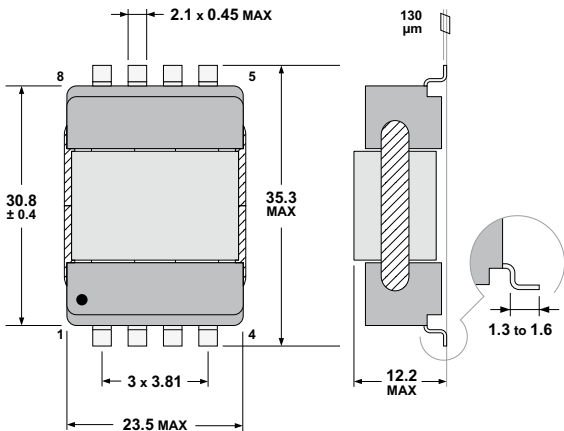


- Based on Microspire's «SESI22 Planar Technology»
- Low-profile SMD package (2x4 pins)
- Applied standards: MIL-STD-202, ECSS-Q-70-02, DO-160
- Dielectric strength test up to 500V (50Hz - 1 min)
- Materials meet UL94-V0 rating
- Thermal index according to IEC85: H (180°C)
- Operating/storage temperature range: -55°C to +125°C
- Approx weight: 26grams

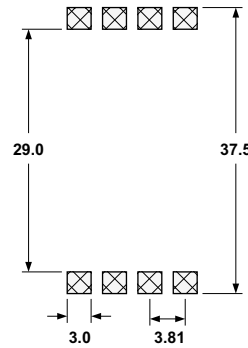
## Electrical Data

ID Code	Inductance Value at 25°C (±40%) L <sub>1-3</sub> = L <sub>5-7</sub>	DC Current MAX	MAX RMS Current for ΔT = 40°C Heating	MAX DC Resistance (25°C)	Dielectric Strength (50Hz - 1min)
DMC22 M25 1WR	25 μH	4 A	1 A	60 mΩ	500 Vrms

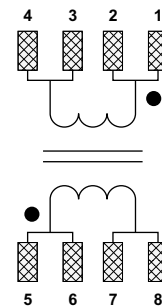
## Typical Dimensions (mm, top view)



## PCB Layout (suggested)

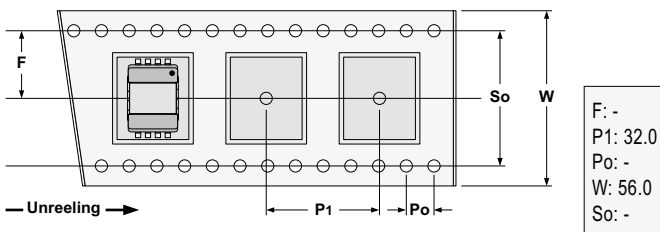


## Connections (Top view)



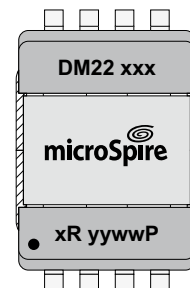
## Packaging

Tape and Reel:  
 100 units per reel of diameter 330 mm



F: -  
 P1: 32.0  
 Po: -  
 W: 56.0  
 So: -

## Marking



yyww :  
 Date code

High Grade Technologies...  
 Power Magnetics...  
 Differential Mode Chokes...

